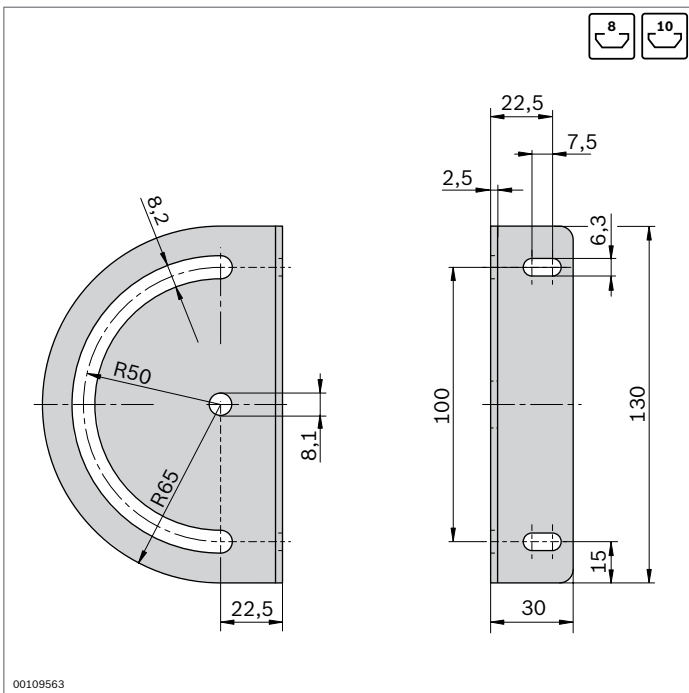


Swivel fastening, 180°



- Swivel fastening for shelves, etc. which need to be positioned at an angle of $\pm 90^\circ$



Swivel fastening, 180°	P1 / P2	ESD	No.	FS
	8 / 8	⚠	3 842 538 275	FS1
	8 / 10			2xFS3
				2xFS4
				2xFS5
	10 / 8	⚠		3 842 538 276
	10 / 10		2xFS3	
			2xFS4	
			2xFS5	

Material: Pivoting fastener: steel; galvanized
 Clamping lever: diecast zinc; black plastic coated
 Scope of delivery: incl. fastening material (FS), clamping lever with disk and swivel-in sliding block with spring

